

# SKIOLD

## HORIZONTAL GRINDING MILL



### RANGE OF APPLICATION:

- Maize
- Millet
- Wheat
- Barley
- Rice
- Sorghum
- Teff
- Peas
- Beans
- Spices
- Coffee
- Sugar
- Salt



# SKIOLD

## SKIOLD HORIZONTAL GRINDING MILL

The SKIOLD grinding mills are made of the best raw materials obtainable and equipped with the famous Engsko millstones.

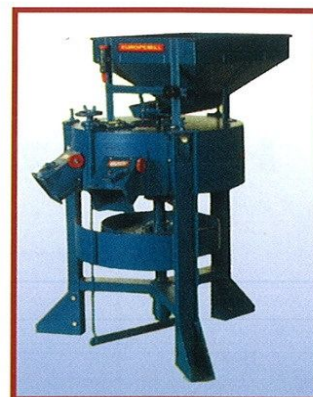
Quality ball bearings on both sides of the shaft ensure a low power consumption. The handwheel regulates the grinding according to the degree of fineness required. The millstones are protected from damage by the safety spring if foreign matters should enter the mill.

The disengaging lever separates the millstones without changing the adjustment. Useful for start and stop operation and for cleaning the mill from stones, metal etc.

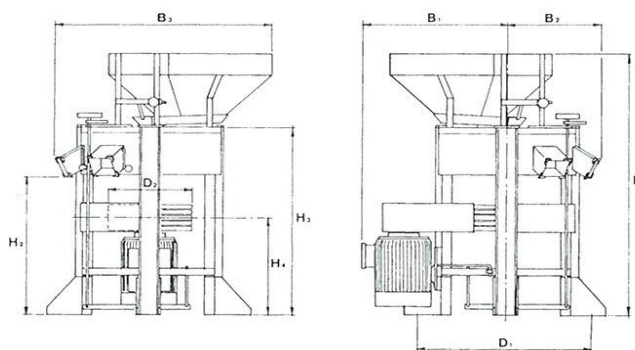
Before leaving the factory each mill is carefully tested in our quality control department.



Horizontal grinding mill with flat belt drive



Horizontal grinding mill



### Technical Data

	500H	600H	700H	800H	950H
Motor power, kW	5.5	7.5	11.0	15.0	18.5
Grinding mill RPM	575	480	420	350	300
Performance fine / coarse, kg/h	150/400	175/500	250/700	300/900	350/1000

### Dimensions

Dimension	B1	B2	B3	D1	H1	H2	H3	H4	Millstones Ø mm	Flat pulley Ø mm	V-belt pulley motor* Ø mm
B1	760	800	880	950	1080						
B2	500	540	600	690	760						
B3	1010	1080	1150	1200	1300						
D1	920	1000	1120	1140	1380						
H1	1350	1350	1420	1520	1540						
H2	650	650	670	750	750						
H3	970	970	1040	1140	1160						
H4	480	480	550	650	650						
Millstones Ø mm	500	600	700	800	950						
Flat pulley Ø mm	375	475	550	700	800						
V-belt pulley motor* Ø mm	150/B4	160/B5	160/B5	180/B5	180/C5						

\* = 50 Hz motor

### Weights (Shipping Specifications)

Net weight in kg with electric motor	275	344	473	641	886
Gross weight in kg with electric motor	374	438	587	776	1037
Volume in m <sup>3</sup> with electric motor	0.880	1.020	1.392	1.720	2.404
Net weight in kg with flat pulley	210	260	370	485	710
Gross weight in kg with flat pulley	293	343	465	595	837
Volume in m <sup>3</sup> with flat pulley	0.787	0.896	1.216	1.544	2.210
Net weight in kg, spare millstones	106	148	240	320	485
Gross weight in kg, spare millstones	126	170	263	348	520
Volume in m <sup>3</sup> , spare millstones	0.156	0.193	0.293	0.376	0.523

If supplied complete with electric motor, standard motors with the power stated will be delivered. Other power may be made available as required by customer.

